

**TAWI**



TAWI MOBILE LIFTERS

# Mobile Order Picker

CE

## Mobile vacuum lifter for logistic- and distribution centres



Optimize your workflow with <sup>TAWI</sup> Mobile Order Picker

Mobile vacuum lifter  
Stand-alone unit  
Integrated pump/battery  
Easily attached to any forklift  
Quick start-up

### Efficient workflow with mobile order picking

<sup>TAWI</sup> Mobile Order Picker offers a unique solution for order-picking from pallet racks, shelves or conveyors. Simply pick up the mobile unit with any kind of forklift or fork truck and drag or drive wherever you need to go.

A vacuum lifter on an articulating arm enables you to reach far into pallet racks or to the back wall of a container.

### Maximize efficiency with minimal effort

1. Attach <sup>TAWI</sup> Mobile Order Picker to any forklift or fork truck
2. Drive where you need to go
3. Park the unit - automatically activating the vacuum pump
4. Start loading/unloading your goods!



Light for dark spaces



Integrated battery

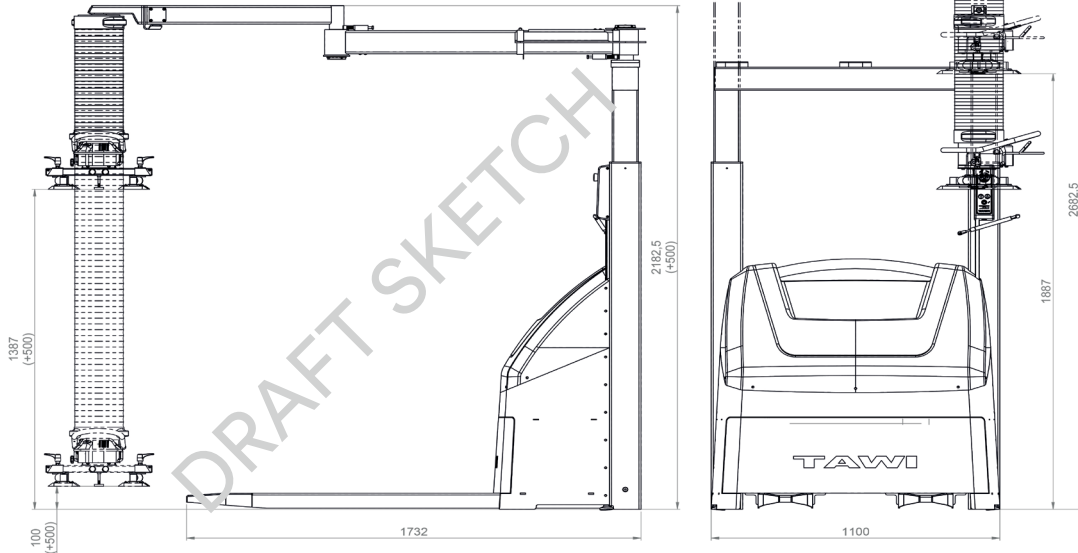


Automatically activated support legs

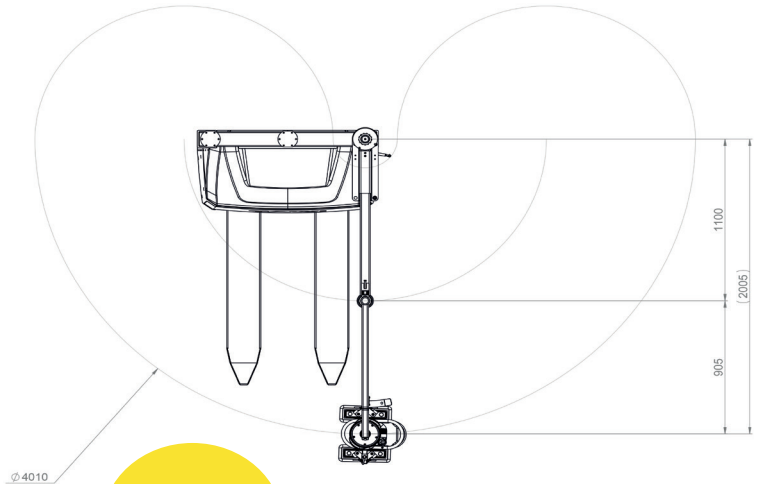
# Drawings, design and technical specifications

In sketch below: TAWI Mobile Order Picker with VM80 [VM180]\*

The unit is also compatible with VM30-80 [VM100-180]\* and VC35-40 [VC100-120]\*



Description	Specifications
Estimated operation time	3 hours constant use/ emptying one container
Building height	700mm
Adjustable height	500 mm
Weight of unit	600 kg
Lifting capacity	40/80 kg
Battery	24 VDC 180 Ah
Battery charge time	8 hours



## Chassis design and smart features

- **Robust cover** protecting battery and on-board electronics
- **User friendly** on-board control panel
- Internal air passage for **effortless operation**
- Electronically driven **height adjustment** to accommodate different lifting heights and height limitations
- **Adaptable fork tunnels** for effortless adjustment to interface any fork system
- **Safety lock** on articulating arm is automatically released when the pump is started



\*All TAWI vacuum lifters have new model names from March 2018, old names in brackets.

# TAWI

Smart lifting

## Headquarters Sweden:

TAWI AB  
Box 102 05  
434 23 Kungsbacka  
Tel: +46 300 -185 00  
info@tawi.com

## Denmark:

TAWI DANMARK A/S  
Arresøvej 7  
DK-8240 Risskov  
Tel: +45 86 17 22 66  
mail@tawidanmark.dk

## Germany:

TAWI GmbH  
August-Thyssen-Str. 1  
D-41564 Kaarst  
Tel: +49 211 20542740  
info@tawi.de

## Netherlands:

TAWI BV  
Postbus 6092  
5700 ET Helmond  
Houtse Parallelweg 34-35  
5706 AB HELMOND  
Tel: +31 492-523705  
info@tawi.nl

## United Kingdom:

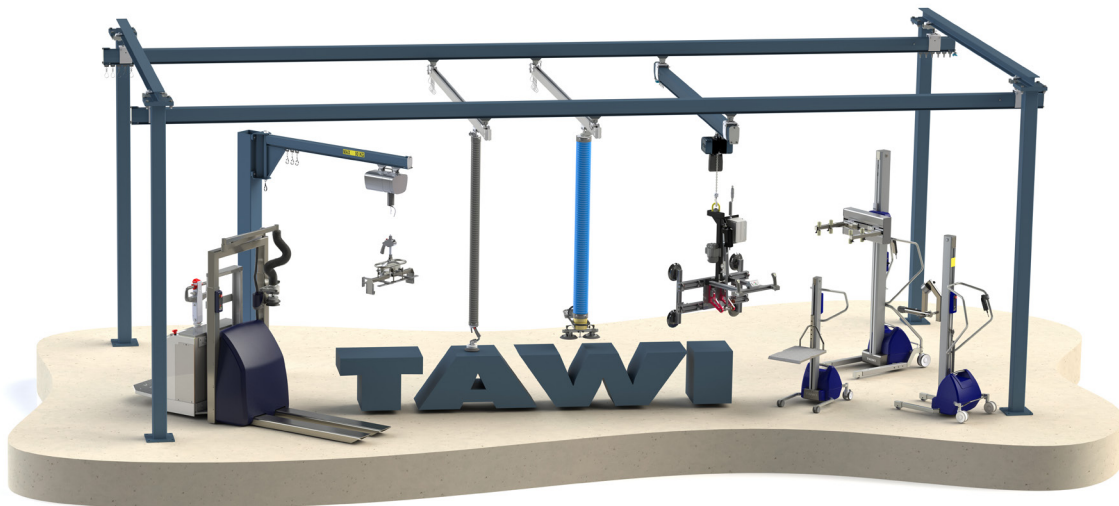
TAWI UK Ltd  
Unit G, Pentagon Park,  
io Centre, Lodge Farm  
Northampton, NN57UW  
Tel:+44 1604 591120  
sales@tawi.co.uk

## USA:

TAWI USA  
380 Internationale Drive  
Suite A  
Bolingbrook, IL 60440  
Tel: +1 630-655-2905  
sales@tawi.us

## Canada:

TAWI Canada Inc.  
120 Newkirk Rd., Unit 7  
Richmond Hill ON L4C 9S7  
Tel: +1 905 884 1633  
info@tawi.ca



MOBILE LIFTERS

CRANE SYSTEMS

HOISTS

VACUUM LIFTERS

VACUUM GRIPPERS